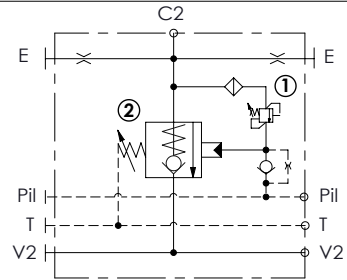
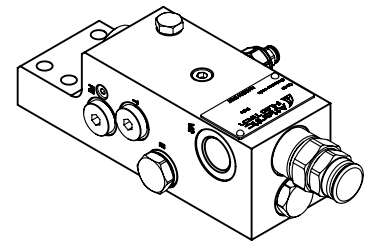
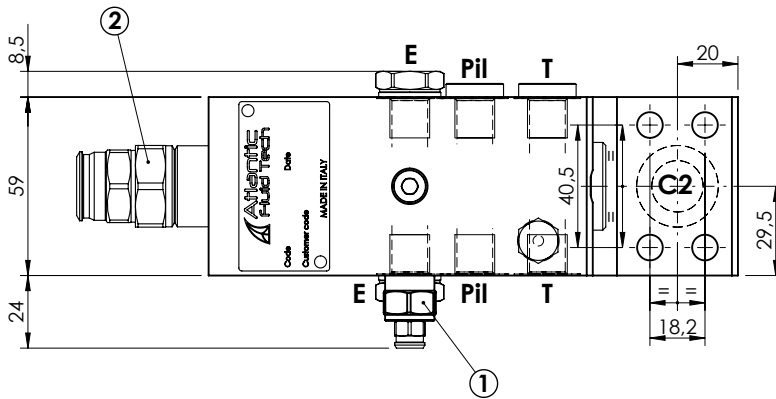
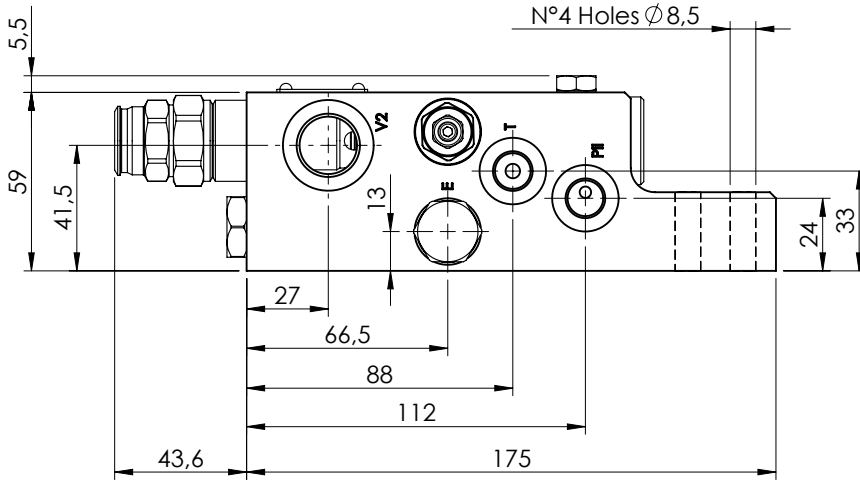


CHECK AND METERING VALVE

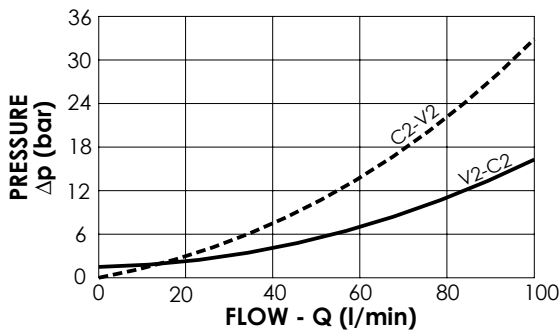
**MLLT-100-AFGD**

FLANGED TYPE  
1/2" SAE 6000



**SPECIFICATIONS**

Max. operating pressure:	420 bar
Rated flow:	100 l/min
Manifold:	Steel
Weight:	3,88 kg



**NOTES**

When correctly adjusted for the special excavator installation, these valves meet the requirement of ISO 8643

**ORDERING CODES**

Quick code	Description	Main ports size	Standard setting (bar)	Adjust. range (bar)	Pressure increase (bar/turn)
ML000130	MLLT-100-AFGD-00-S12-N420	C2: 1/2" SAE 6000 V2 : G 1/2" E,Pii,T: G 1/4	① 350 Q=5 l/min ② 7.5 Crack. pr.	① 300-420 ② 3-15	① 236 ② 3,8