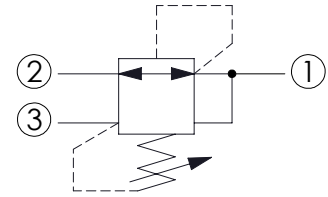
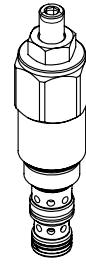
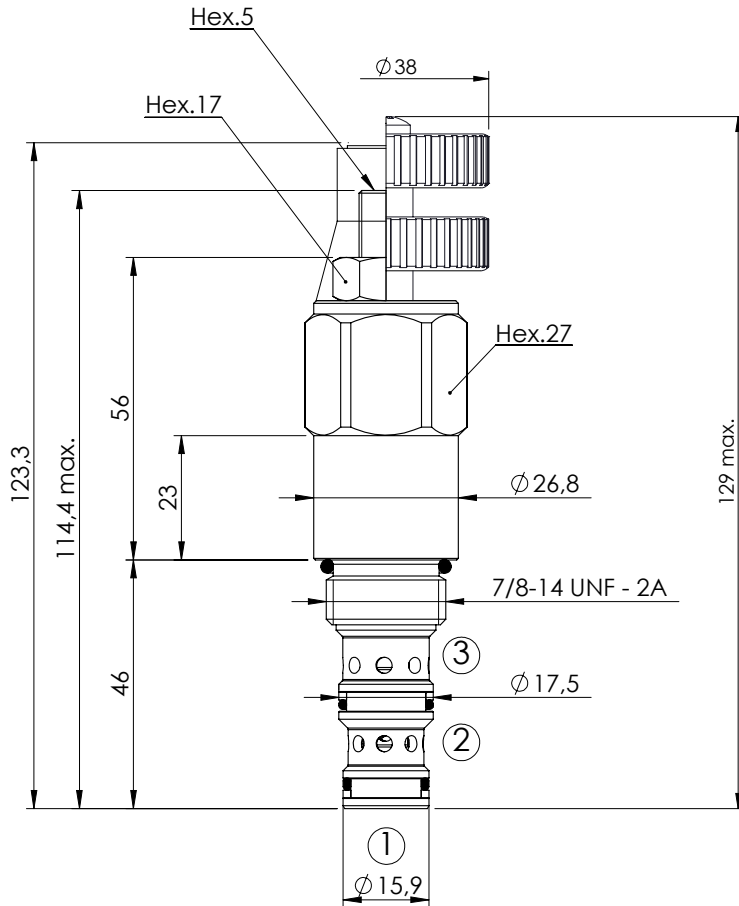


**PRESSURE REDUCING AND RELIEVING**

**CPRL-030-DNNR**

**DIRECT ACTING  
SPOOL TYPE**



**SPECIFICATIONS**

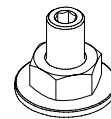
Max. operating pressure:	350 bar
Rated flow:	30 l/min
Cavity:	SAE-10-3N
Weight:	0,28 kg
Installation torque:	50 - 55 Nm
Leakage:	50 cm <sup>3</sup> @ 50 bar
Seal kit:	RA700092

**SEALING CAP**

Ordering code:  
AT000022



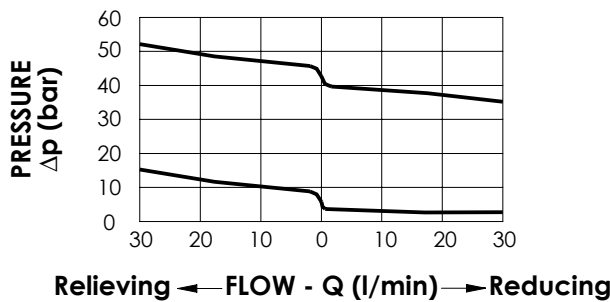
**OPTIONS**



Adjustment  
with Screw



Adjustment  
with Handknob



**ORDERING CODES**

Quick code	Description	Standard setting (bar)	Adjust. range (bar)	Pressure increase (bar/turn)	Options
CR000002	CPRL-030-DNNR-HN-S10-N050	35	10-50	7	Adjustment with Screw
CR000008	CPRL-030-DNNR-VN-S10-N050	35	10-50	7	Adjustment with Handknob
CR000011	CPRL-030-DNNR-HN-S10-N015	5	1.5-15	1	Adjustment with Screw
CR000012	CPRL-030-DNNR-VN-S10-N015	5	1.5-15	1	Adjustment with Handknob