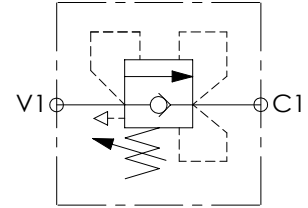
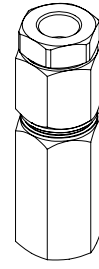
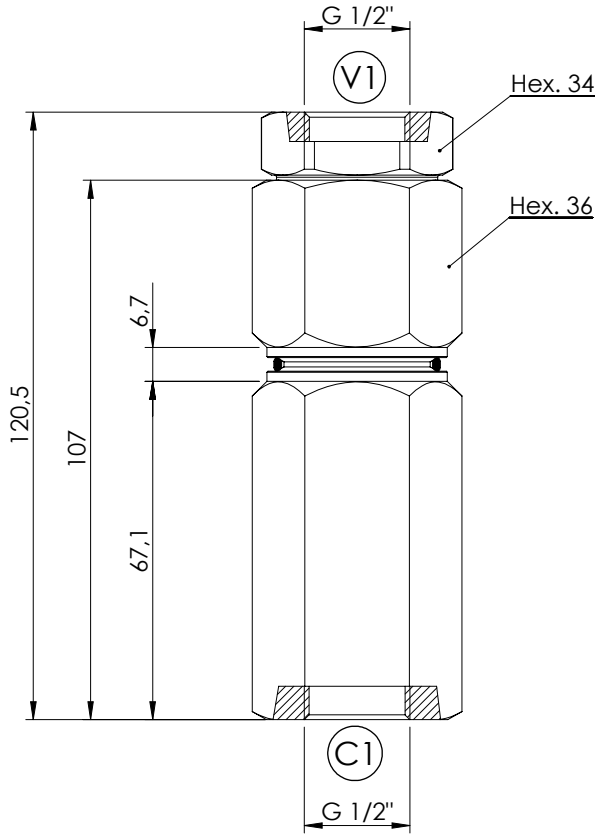


SEQUENCE VALVE

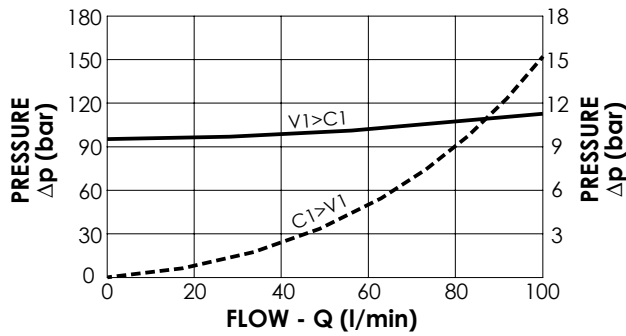
CPST-100-DHLD

**DIFFERENTIAL AREA
POPPET TYPE
COMPENSATED**



SPECIFICATIONS

Max. operating pressure:	350 bar
Rated flow:	100 l/min
Body:	Steel
Weight:	0,82 kg



ORDERING CODES

Quick code	Description	Port size	Standard setting (bar, Q=5 l/min)	Adjust. range (bar)	Pressure increase (bar/turn)
CP000092	CPST-100-DHLD-GN-G12-N140	V1,C1: G1/2"	100	50 - 140	27
CP000269	CPST-100-DHLD-GN-G12-N220	V1,C1: G1/2"	200	100 - 220	39